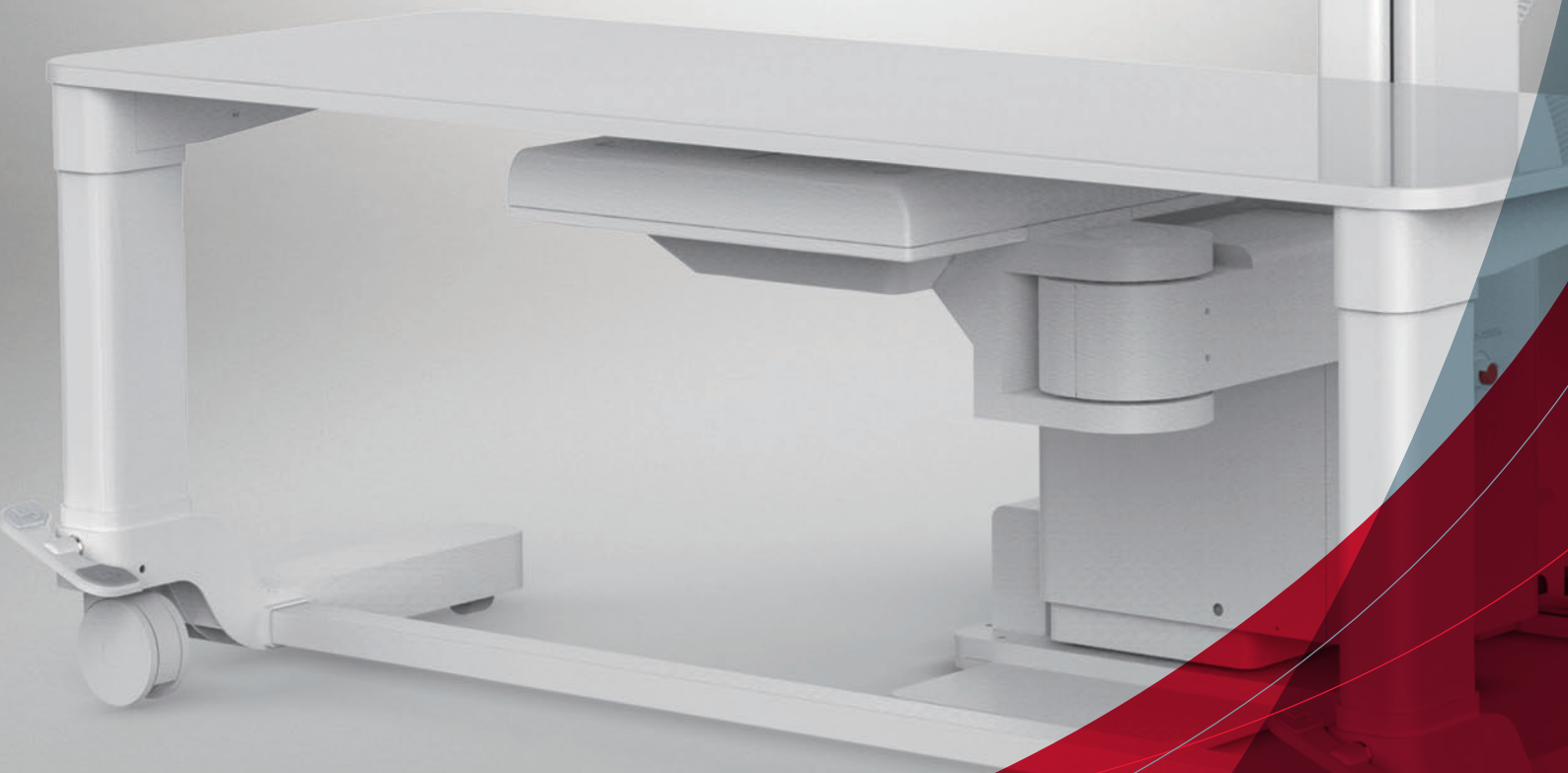




# **TITAN 11**

ALL-IN-ONE DIGITAL RADIOGRAPHY



The Power of Passion

**GEMSS**

# All-in-One System

TITAN 11 is a compact digital radiography system which enables various projections possible in any confined operation space. Its configuration will assure smooth transition from analog into digital radiography system while relieving your burden on limited space and budget issue.



✓ Fully Automatic Operation System



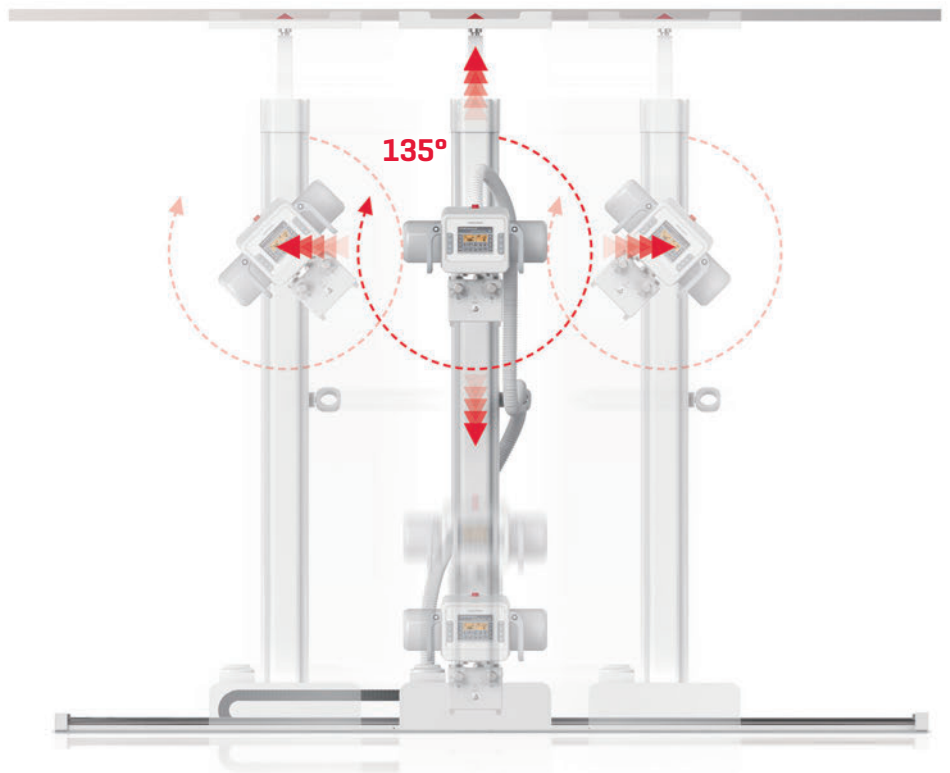
✓ Simple Installation



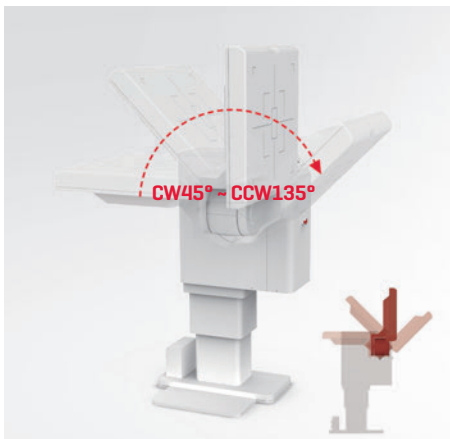
✓ FPD / CCD Detector Setting Available



✓ Retrofit System



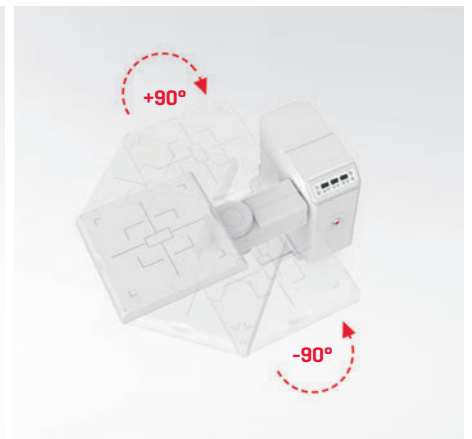
CW45° ~ CCW135°



CW135° ~ CCW45°

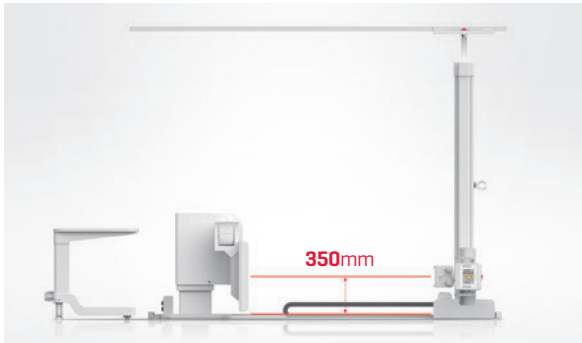


±90°

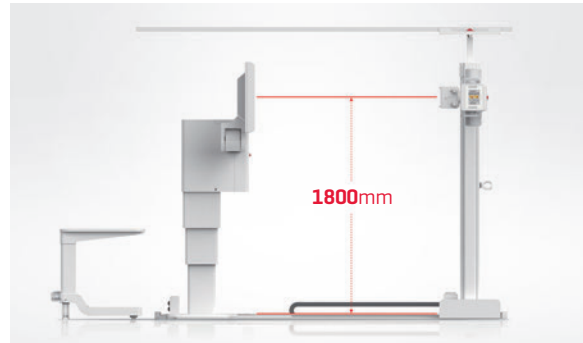


## Optimized Workflow

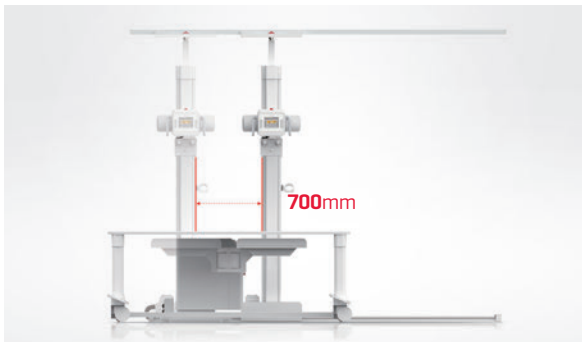
For maximizing workflow efficiency, TITAN 11 is perfectly designed for the operators' needs. It is utilized in many different ways; 'wired or remote control', 'touch screen control', 'tube and detector synchronization' and 'Detector controlled from tube stand console'. All these functions and components support operator's workflow as smooth as possible.



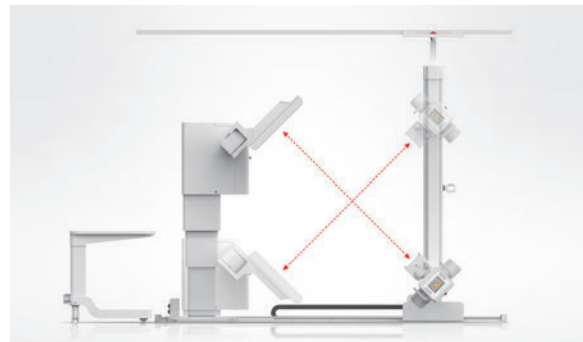
➤ Stand mode 350



➤ Stand mode 1800



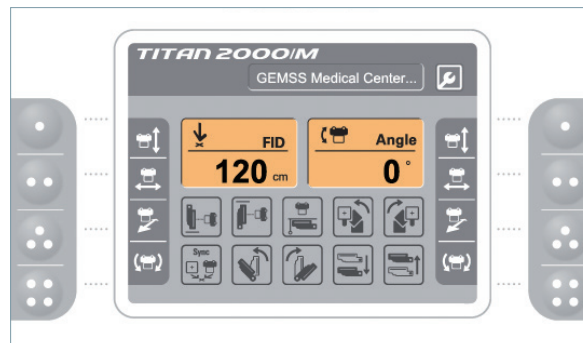
➤ Detector swing



➤ Angle mode



➤ Decubitus mode



➤ OP Panel

## Xview 4.1

GEMSS Medical's smart software to improve efficiency in the user environment

- Worklist designed from a user's point of view
- Convenient patient registration
- Convenient shooting support
- Remarkable image-processing module
- Provide the smart information



## High-quality Imaging

From diversified and flexible movements of its tube stand and detector stand, TITAN 11 is capable of taking complicated exams such as decubitus position or lateral hip position.



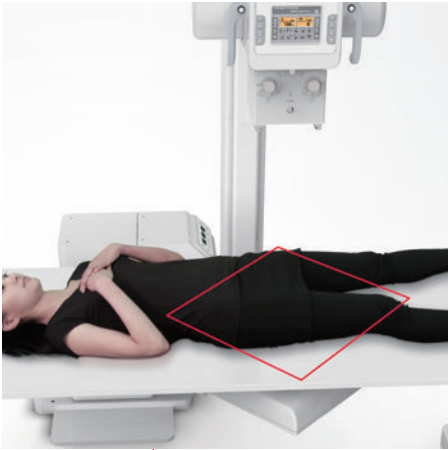
☞ Shoulder both AP



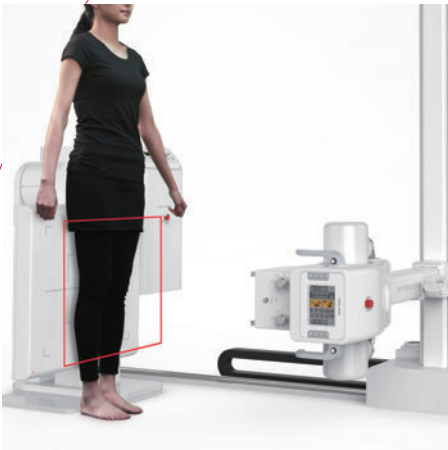
☞ Sunrise view



☞ Decubitus



↙ Femur AP



↙ Knee standing



↙ Hip trans-lateral

## Equipment Component

• **Full system package** : Tube stand, Detector stand, Generator, Mobile table, Work station



• **Retrofit package** : Detector stand, Mobile table, Work station



• **Option** : Auto Exposure Control[AEC], Dose Area Product[DAP],  
Power Supply Unit[PSU], Power Assistant Unit[PAU]  
Acryl table, Carbon table



**GEMSS**

GEMSS MEDICAL SYSTEMS CO., LTD.

[www.gemss-medical.com](http://www.gemss-medical.com)